

## MD-S540 DIGITAL REMOTE PRESSURE GAUGE

### TECHNICAL CHARACTERISTICS:

- ✓ 270° rotating watch body
- ✓ Three digits display pressure
- ✓ RS485 remote transmission signal
- ✓ Good product stability, anti-electromagnetic interference design
- ✓ Error zero clearing function
- ✓ Wide temperature range, suitable for most media



MD-S540 series digital remote pressure gauges use RS485 remote transmission signals. This series of remote pressure gauges uses three-digit display to display the pressure value in real time. At the same time, the pressure signal can be transmitted remotely, and the transmission distance is better than 500 meters.

This series of digital remote pressure gauges has a built-in pressure sensor with excellent accuracy. It adopts 304 stainless steel shell and joints, excellent workmanship, high cost performance, and has a very wide range of media applicability. The IP54 protection level of the whole machine, the watch body supports 270° rotation angle, and the dial orientation can be adjusted at any time.

This product can be used to replace the traditional pointer remote pressure gauge or pressure transmitter.

### APPLICATIONS:

- ◇ Gas fire extinguishing tank monitoring

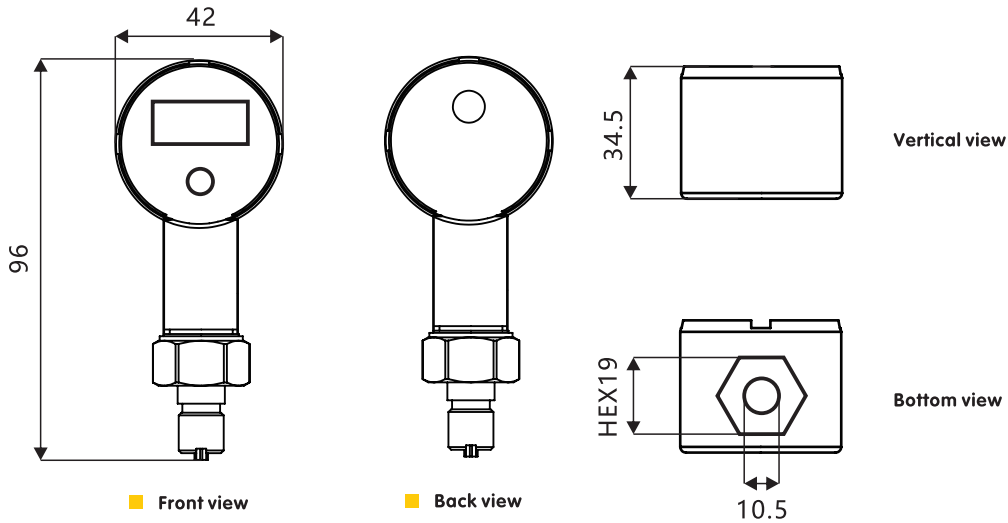
### TECHNICAL PARAMETERS:

|                       |  |
|-----------------------|--|
| Range                 | 6/16/30MPa   |
| Overload Capacity     | 120%   |
| Display               | LED display  |
| Response times        | ≤2ms   |
| Accurate              | 1%FS   |
| Long-term Stability   | 0.5%FS/year  |
| Power supply          | 12~28VDC   |
| Output                | RS485  |
| Working temperature   | -20~80°C   |
| Electrical protection | Anti-frequency interference design                         |
| IP rate               | IP54   |
| Testing medium        | Gases or liquids that are not corrosive to stainless steel |
| Connection            | M10*1  |
| Shell materials       | 304SS  |



**DIMENSION:**

UNIT:mm


**WIRING DEFINITION :**

|                       |         |        |
|-----------------------|---------|--------|
| 485 Output<br>4 wires | Power + | Red    |
|                       | Power - | Black  |
|                       | A       | Yellow |
|                       | B       | White  |

**SELECTION GUIDE:**
