

MD-S281 DIGITAL PRESSURE GAUGE

TECHNICAL CHARACTERISTICS:

- ✓ The dial can be rotated 330°
- ✓ Large LCD screen, support multiple unit switching
- ✓ Support reset, backlight, Bluetooth connection, APP collection and other functions
- ✓ Low power consumption design, 2 AA batteries, 12 months of battery life
- ✓ Beautiful appearance, the whole shell is covered with rubber, with delicate feel



MD-S281 is a digital pressure gauge with a built-in high-precision pressure sensor, which can accurately display the pressure in real time, and has the characteristics of high precision and good long-term stability.

This digital pressure gauge is equipped with a large-size LCD liquid crystal display, which has multiple functions such as zero reset, backlight, power on and off, unit switching, low voltage alarm, etc. It is easy to operate and install. The dial orientation can be rotated 330°, which is convenient for customers to read from the desired angle. The equipment product adopts the whole casing to be covered with rubber, which has good shock resistance and can measure gas, liquid, oil and other media that are not corrosive to stainless steel. This series of products supports Bluetooth applets and APP configuration parameters, including: pressure value display, acquisition rate modification, reset operation and other settings.

MD-S281 digital pressure gauge is suitable for portable pressure measurement, equipment matching, calibration equipment and other pressure measurement fields.

APPLICATIONS:

- ◇ Machinery and electronic industry
- ◇ Supporting equipments of instruments
- ◇ Pressure laboratory
- ◇ Mechanical engineering automation
- ◇ Replacement of pointer pressure gauge

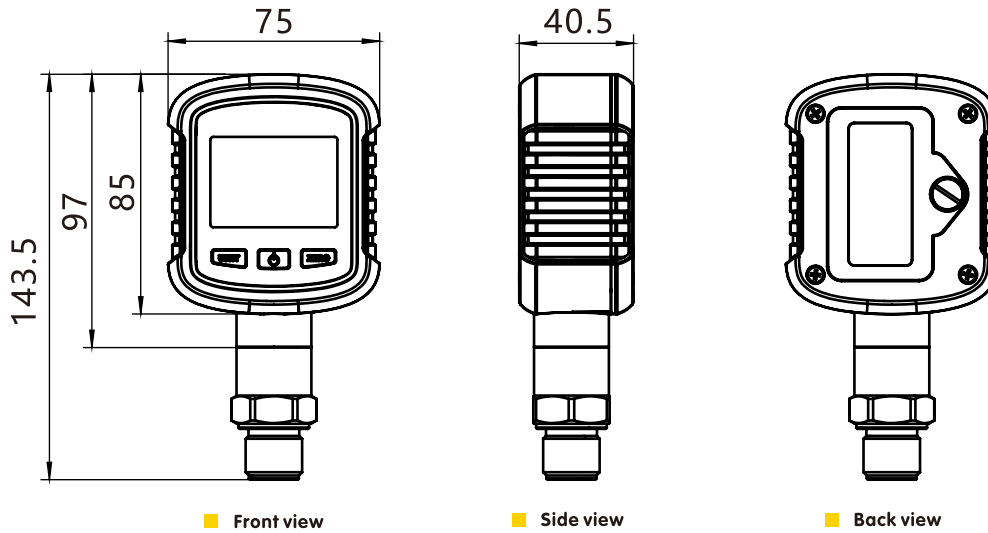
TECHNICAL PARAMETERS:

Range	Negative/compound pressure: -0.1~0...0.1...1.6MPa Differential pressure: 0~10..40....60kPa Normal pressure: 0~0.1...1.0...6MPa High Pressure: 0~10...25...60MPa
Overload Capacity	200%FS
Backlight color	White
Dimension	143.5*75*40.5mm
ACC	0.4%FS 0.2%FS
Long-term Stability	Typical ±0.3%FS/year
Operating Temperature	-20 ~ 65°C
Electrical protection	Anti-electromagnetic interference design
Measuring medium	Oil, water, gas and other stainless steel corrosion free medium pressure
Connection	M20*1.5, G1/4 or customized
Connection material	304 stainless steel
Shell material	TPE+ABS
Product Features	Turn on/off backlight clear zero unit switch extreme value record Bluetooth connection
Power supply voltage	3V (2 AA batteries)
Power display	Four sections display
Dial	Can rotate the dial at 330 degrees
Pressure unit	MPa、bar、kgf、mH2O、PSI、kPa、mmHg、mBAR、mmH2O、Pa、inWC
Protection level	IP54



DIMENSION:

UNIT:mm


SELECTION GUIDE:
