

MD-S230 EX DIGITAL PRESSURE GAUGE

TECHNICAL CHARACTERISTICS:

- ✓ 304 stainless steel case and pressure joint, highly protective, up to IP67 protection level
- ✓ Explosion-proof design makes it safer to use
- ✓ Four-digit LCD screen, white backlight, pressure percentage display
- ✓ Multiple output modes optional: no output, 4~20mA, RS485
- ✓ A variety of units can be switched and reset, and the backlight can be turned on and off magnetically or by pressing a button



MD-S230 intelligent digital pressure gauge is a high-precision intelligent digital pressure gauge. It adopts 304 stainless steel case and pressure joint design to provide stronger protection and can be used in harsh environments.

This digital pressure gauge is designed with IP67 protection level and can be used indoors and outdoors. At the same time, it adopts an explosion-proof design to meet the safety requirements of some special industries. It adopts a hygienic design and can choose a clamp-type pressure joint, which is suitable for food applications. In other industries, you can choose no output, or 4~20mA, RS485 signal output.

This digital pressure gauge is equipped with an LCD display and has multiple functions such as zeroing, backlight, on/off, and unit switching. The magnet switches on and off, which reduces the risks caused by opening the cover.

The product adopts 316L stainless steel shell and joints, which has good shock resistance and can measure gas, liquid, oil and other media that are not corrosive to stainless steel.

APPLICATION:

- ◇ Petroleum gas
- ◇ Chemical industry, chemical fiber
- ◇ Construction machinery automation
- ◇ Food Industry

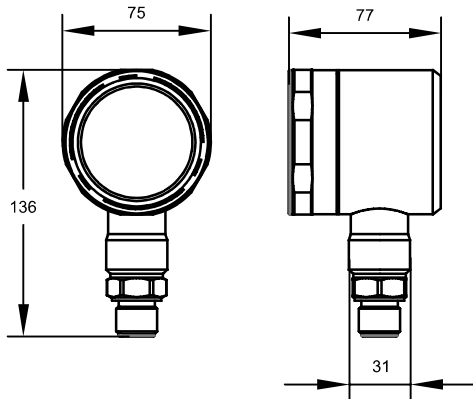
SPECIFICATION:

Measuring range	-0.1...0~0.1...0.4...1...5...10...25...60MPa (other ranges are optional)
Overload pressure	120% (≥ 10 MPa); 150% (< 10 MPa)
Accuracy	0.5%FS
Supply voltage	3.0V (two AA batteries)/ 12~28VDC
Mounting thread	G1/2, M20*1.5, etc. (customized according to requirements)
Output signal	No output / 4~20mA / RS485
Screen display	4-digit LCD display
Screen backlight	White
Dial diameter	73mm
Shell material	304 stainless steel
Interface material	304 stainless steel
IP rate	IP67
Product features	On/off, backlight, clear, unit switching
Long-term stability	Better than +0.2%FS/yea
Measuring medium	Water pressure, gas, liquid, oil pressure
Pressure unit	PSI, bar, kPa, kgf/cm ² , MPa

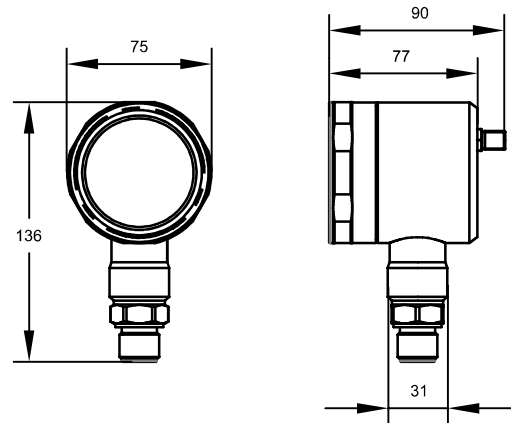


DIMENSION:

UNIT:mm



■ Without Output



■ With output

SELECTION GUIDE:
MD — S230 — 1M — A — 1 — P0 — M20 — T2
Model:
MD-S230

Range:
X k (0-X kPa) X b(0-X bar)
X P(0-XPSI)
X M(0-XMPa)
X k(0-Xkgf/cm²)

Output:
0(without output)
A(4-20mA) R(RS485)

Acc:
1(0.5%FS)

Medium temperature:
T2 (-20~65℃)

Connection:
M20(M20*1.5) N12 NPT1/2
G12(G1/2) N12(NPT1/2)
KF25(KF25 clamp)
M9(customized thread)

Power supply:
P0(battery powered) P3 (12~28V)

Remark:

If the output signal is no output, the power supply is battery power; if the output signal is A or R, the power supply mode is 12~28V.

