

MD-S211 DIGITAL PRESSURE GAUGE

TECHNICAL CHARACTERISTICS:

- ✓ Original imported pressure sensor, accuracy 0.05%, 0.1%, 0.5% optional
- ✓ Dial can be rotated 330°
- ✓ It can record up to 270,000 pieces of data, and the data can be exported through a computer or Bluetooth app
- ✓ Multiple power supply modes: optional type-C external power supply + 3 AAA batteries or type-C external power supply + rechargeable battery power supply
- ✓ Up to 15 pressure units can be switched, with a wider range of applications
- ✓ Bluetooth function, can set various parameters
- ✓ (-0.1...0~0.1...1...10...70)MPa



The high-precision digital pressure gauge is a high-precision pressure gauge that can rotate 330°. It uses split-screen display on the main screen and the secondary screen. The main screen displays real-time pressure, and the split-screen displays the ambient temperature, maximum pressure, minimum pressure, and range. Range and other reference data.

The product has powerful functions and can switch between multiple common pressure unit displays. The pressure collection rate is adjustable, and the collected data can be recorded and exported through a type-c data cable or Bluetooth function. Various parameters can be set through Bluetooth function or buttons.

The device comes standard with type-c external power supply, optional type-c external power supply + 3 AAA batteries or type-c external power supply + rechargeable battery power supply, multiple power supply modes, more convenient to use.

APPLICATIONS:

- ◇ Machinery and electronics industry
- ◇ Instrumentation supporting
- ◇ Pressure laboratory
- ◇ Construction machinery automation
- ◇ Replace analog pressure gauge, it can be used as standard pressure gauge and used to calibrate pressure transmitter and ordinary pressure gauge

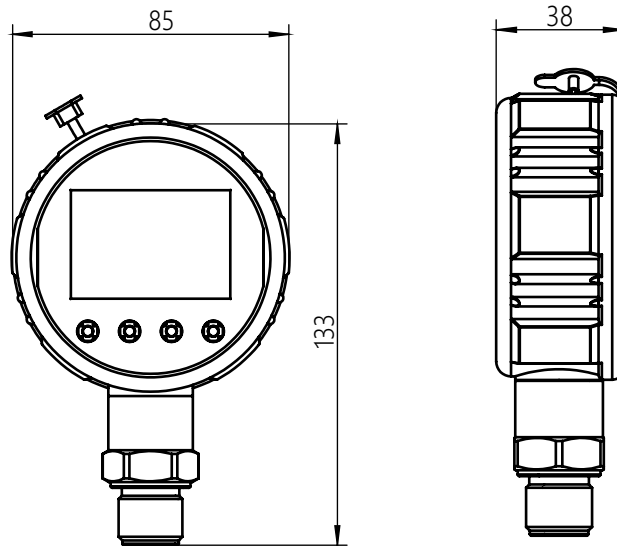
TECHNICAL PARAMETERS:

Range	(-0.1...0~0.1...1...10...70)MPa
Overload Pressure	150%
Power Supply	type-C external power supply + 3 AAA batteries or type-C external power supply + rechargeable battery power supply
Dial Size	85mm
Accuracy	0.05%FS 0.1%FS 0.5%FS
Output Signal	Without
Data storage	Can store 10 records, each record can hold up to 27,000 data, totaling 270,000 data
Working Temperature	-10 ~ 60°C
Backlight Color	Green
Sampling Frequency	0.1-10 times/second
Measuring Medium	Gas or liquid compatible with 316 stainless steel
Connection	M20*1.5 G1/2 G1/4 or customized
Connection Materials	304 SS
Rotation Angle	330°
Product Function	Power on/off Backlight Clear Unit switching Extreme value display Temperature display Data recording and export
Shell Materials	Cast zinc
Protection Grade	IP65 (IP67 optional)



DIMENSION:

UNIT:mm


SELECTION GUIDE:
MD — S211 — 1M — 5 — 0 — P0 — M20 — T1
Model:

S211(high-precision)

Range:

 X k (X-X kPa)
 X b (X-X bar)
 X M (X-X MPa)
 X PAI (X-X PSI)

Accuracy:

3(0.1%FS) 5(0.05%FS) 1(0.5%FS)

Output signal:

0(NO)

Measurement temperature:

T1 (-10~60°C)

Screw thread:

 M20(M20*1.5) G14(G1/4)
 G12(G1/2) N12(NPT1/2)
 N14(NPT1/4) Z14(ZG1/4)
 M9(Customized)

Power supply:

P0 (battery) PX (rechargeable battery)

